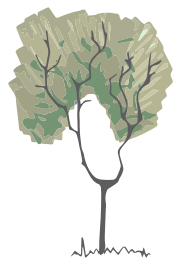
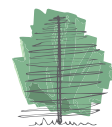
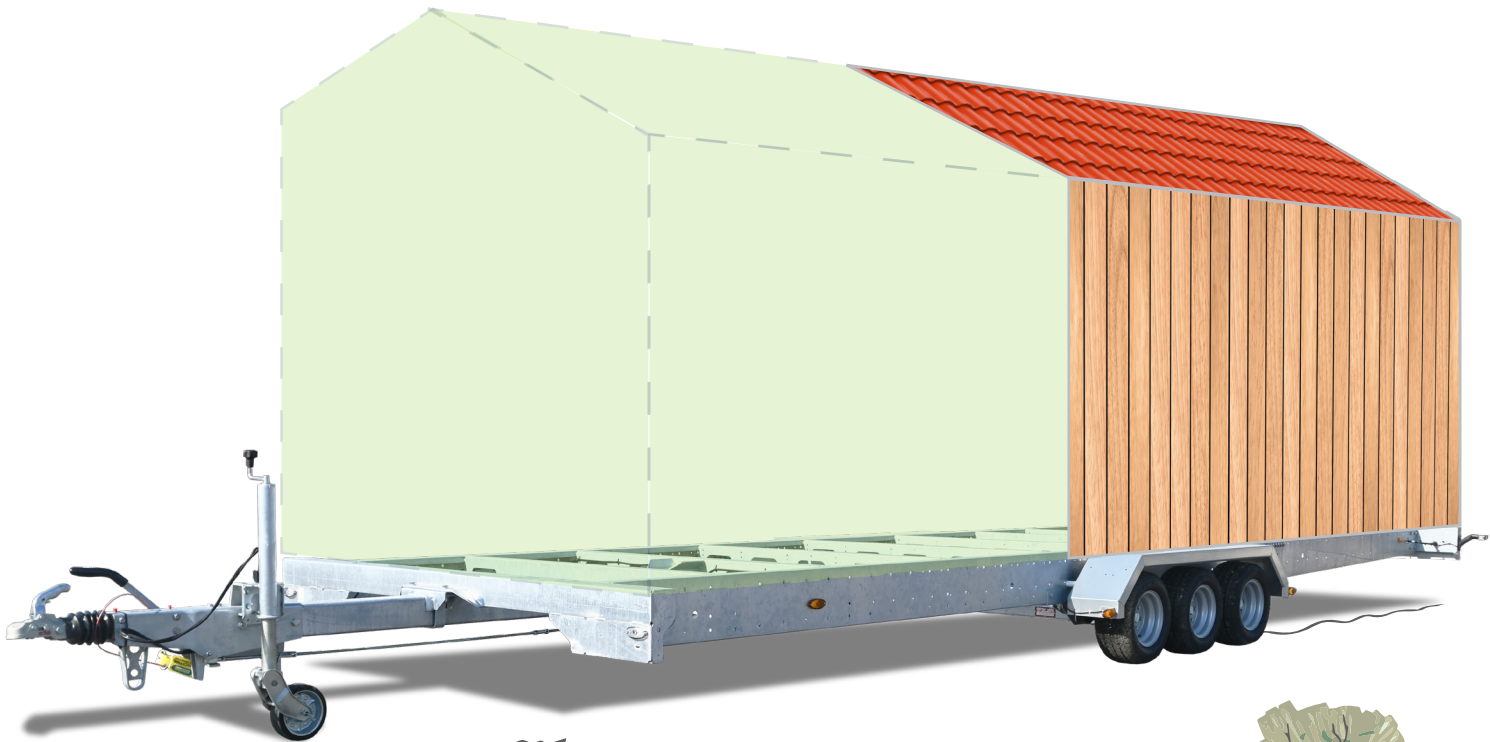
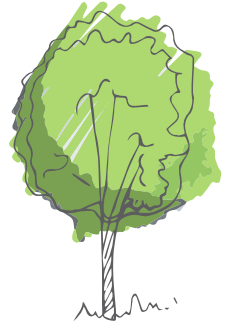
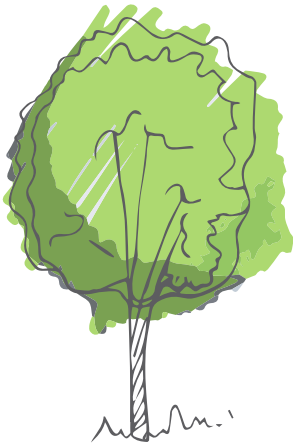




#forDOERS!



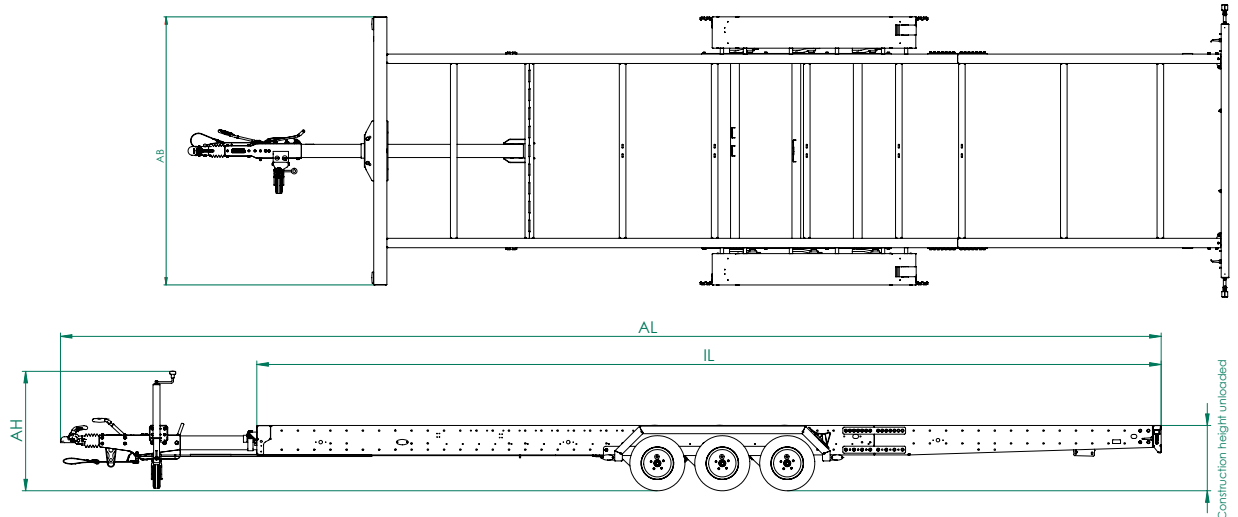
# TINY HOUSE CHASSIS

# YOUR BENEFITS

- Stable „foundation“ for Tiny House structures
- 3,5 t or 6,0 t admissible total weight
- Easy and safe movement of the axes
- Drawbar detachable
- Extensive range of accessories available
- Including CoC (Certificate of Conformity)
- No minimum order quantity
- Setup consulting and service

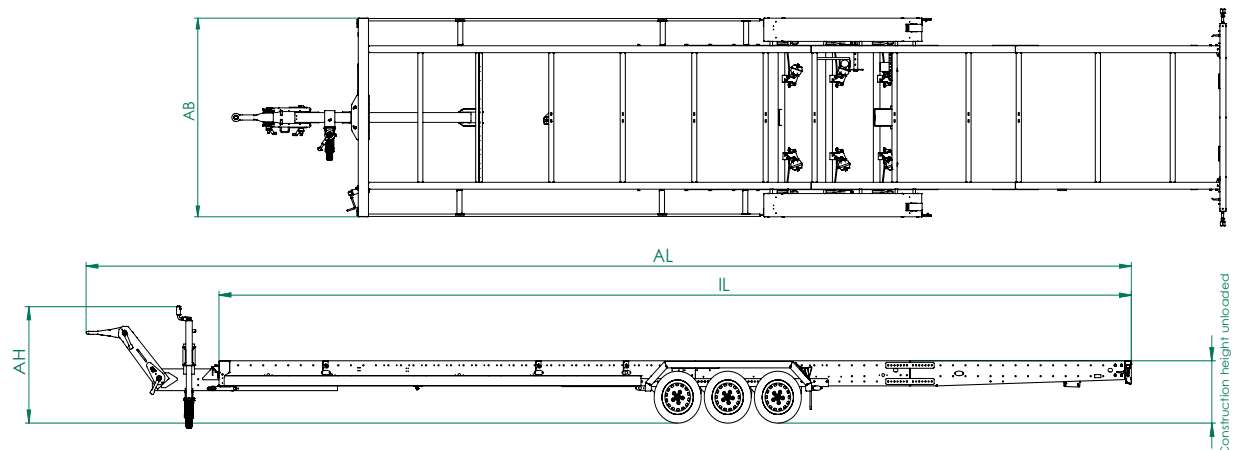
## MODEL OVERVIEW & TECHNICAL DATA

### VERSION 3500 KG



External dimension AL x AB x AH ca. in mm	Chassis dimensions IL x IB ca. in mm	Admissible total weight in kg	Cargo load ca. in kg	Possible body width in mm	Construction height unloaded ca. in mm	Construction height loaded ca. in mm	Number of axes	Tyres
7095 x 2440 x 1000	5400 x 2440	3500	2765	3000	565	515	3	10"
8295 x 2440 x 1000	6600 x 2440	3500	2695	3000	565	515	3	10"
8895 x 2440 x 1000	7200 x 2440	3500	2670	3000	565	515	3	10"
9495 x 2440 x 1000	7800 x 2440	3500	2655	3000	565	515	3	10"
10 095 x 2440 x 1000	8400 x 2440	3500	2570	3000	565	515	3	10"

### VERSION 6000 KG



External dimension AL x AB x AH ca. in mm	Chassis dimensions IL x IB ca. in mm	Admissible total weight in kg	Cargo load ca. in kg	Possible body width in mm	Construction height unloaded ca. in mm	Construction height loaded ca. in mm	Number of axes	Tyres
8900 x 2440 x 1100	7200 x 2440	6000	4900	3000	625	575	3	13"
9500 x 2440 x 1100	7800 x 2440	6000	4890	3000	625	575	3	13"
10 100 x 2440 x 1100	8400 x 2440	6000	4830	3000	625	575	3	13"
10 700 x 2440 x 1100	9000 x 2440	6000	4820	3000	625	575	3	13"
11 300 x 2440 x 1100	9600 x 2440	6000	4790	3000	625	575	3	13"
11 900 x 2440 x 1100	10200 x 2440	6000	478 0	3000	625	575	3	13"

\*AL = Outer length, AB = Outer width, AH = External height, IL = Inner length, IB = Inner width

# FURTHER INFORMATION ON TECHNICAL DATA

## Permissible total weight 6.0 t

### Brake system

- Air brake system
- Parking brake with release brake valve and spindle brake

### Road traffic

- Lighting system 24 V
- CE driving licence required

## Construction width up to 3.0 m

- The chassis becomes approvable via a standard CoC. The Tiny House body itself is assessed as an indivisible load due to the detachable connection to the chassis.
- The extremely stable construction of the chassis provides the stability for a 3.0 m wide superstructure..
- Up to an exterior width of 3.0 m, you are within the so-called „consultation-free area“, i.e. the transport is simply applied for at the responsible district office (road traffic authority) and can be approved area-wide.
- For further information, please contact your contact person at UNSINN.

# STANDARD BASIC EQUIPMENT

## Chassis

- with recesses in the cross members

## Rear design

- for 3.5 t light carrier
- with 6.0 t tested underride guard

## Lighting

- Rear lights, marker lights, clearance lights and side marker lights

## Typification

- CoC (Certificate of Conformity)

## Load securing

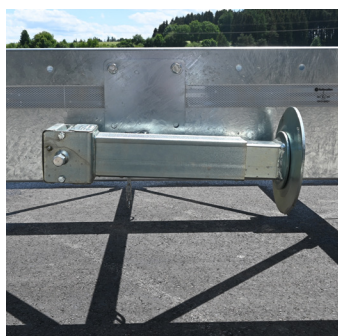
- Instructions for securing the load - fastening of the Tiny House as a load on the chassis

## Axes movable

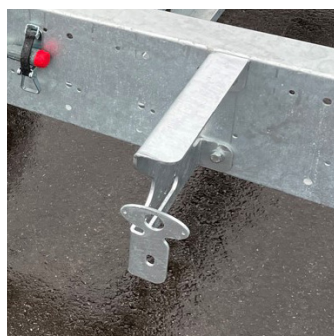
- Side member with grid holes for axle offset

# ACCESSORIES

- Heavy-duty crank supports for safe parking of the Tiny House at its destination (load capacity per support 3.0 t static, 2.0 t dynamic, stroke 120 mm)
- Support brackets for the base plate in version for mounting in front of and behind the axle assembly
- Retaining rails for the cable feed-through in the chassis
- Load securing set, consisting of lashing eyes, fastening material and tensioning straps
- Insulated base plate as foundation for the structure



Crank supports in driving position (left) or retracted (right)



Support brackets



Base plate

# UNIQUE FASTENING - LOAD SECURING

The load is secured by a combination of friction force (between the frame and the floor) and positive locking. To secure the load and implement the form fit, a conventional tension belt is used (at the fixed and loose end each with profile hooks).



Base plate secured to frame with tensioning straps

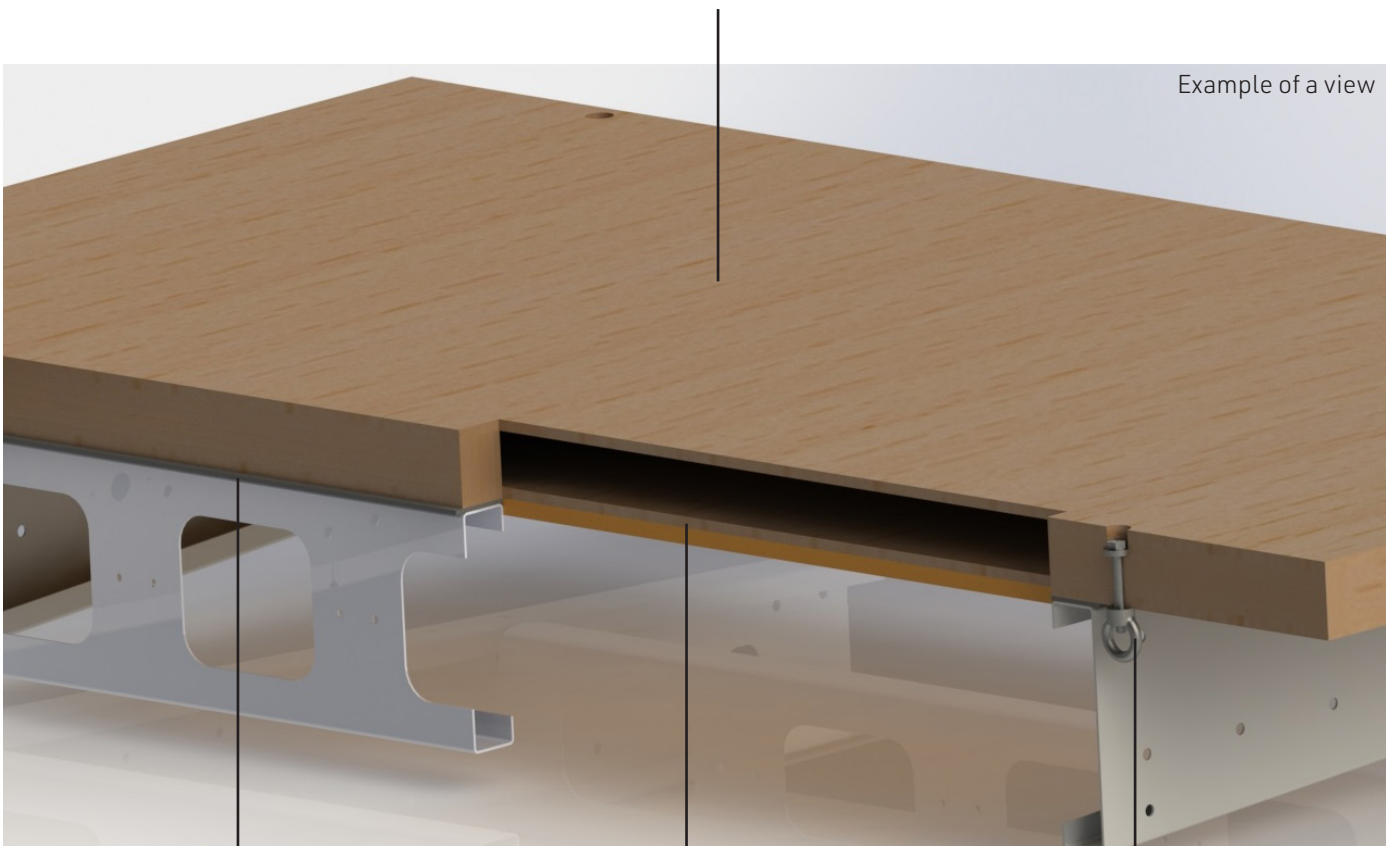


Lashing eye for 350 daN lashing force anchored in the base plate



Anti-slip covering

Ground



Example of a view

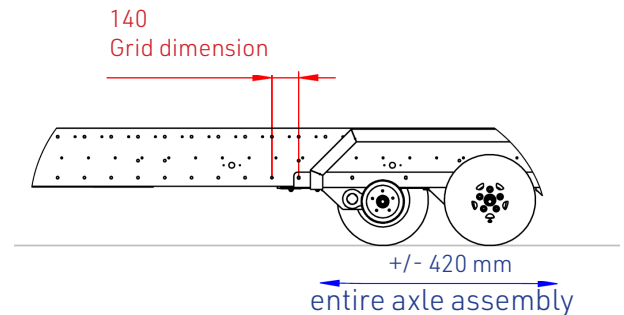
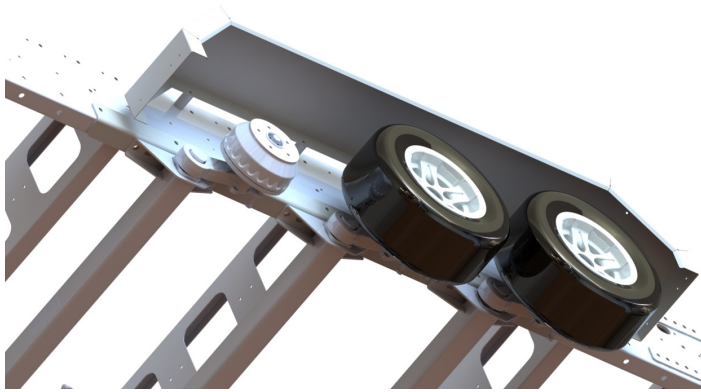
Anti-slip mat (Friction lock)

End stop (positive locking)

Lashing point (force fit)

# RELOCATE AXLE

The complete axle unit can be moved forwards or backwards by a total of 420 mm. The distance of 560 mm between the axles must not be changed. The axles can be shifted as required in a 140 mm grid. For this purpose there are prefabricated holes in the longitudinal members.



## THAT'S HOW IT WORKS:

### Version 3.5 t overrun braked:

1. Jacking up the chassis, unhooking the brake rods & removing the fenders
2. Loosen axle & axle angle screws and reattach them to the desired location
3. Position and screw the axis at the desired position
4. Reinstall the fender
5. Shorten or lengthen the brake linkage as required and have it adjusted by a specialist.

### Version 6.0 t air-braked:

1. Jack up chassis, remove brake hoses from modulator to cylinder
2. ALB regulator, loosen connection to axle and dismantle fender
3. Loosen axle bolts
4. Position the axle at the desired location and screw it in place.
5. ALB regulator, loosen screws and fit to the axle
6. ALB regulator, screw connection to axis
7. Connecting brake hoses from modulator to cylinder
8. Screw the fender to the desired position
9. Brake verified by an expert.

## SERVICE

- Recommended action for the construction of the base plate and the mounting of the base plate on the chassis
- On request including base plate mounted on chassis
- Load securing kit consisting of lashing means & instructions
- Telephone support



# #HOME



UNSINN Fahrzeugtechnik GmbH  
Rainer Straße 23+25  
86684 Holzheim  
Germany

Tel.: +49 8276 5890-0  
sonderbau@unsinn.de  
www.unsinn.com/chassis



Visit us:



All technical data, measurements and weights are approximate and non-binding.  
Pictures partly with special accessories, subject to change.  
Image source: UNSINN Fahrzeugtechnik GmbH